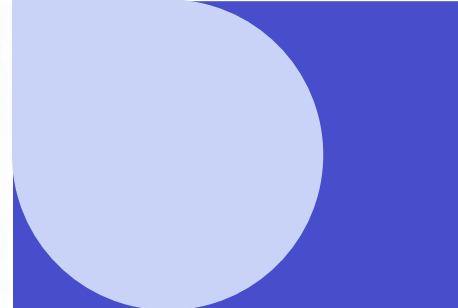




NEWSLETTER



VOL 4
ISSUE 2



NHA TRANG UNIVERSITY

Inside this issue

ANNOUNCEMENT OF THE DECISION TO APPOINT NTU'S VICE-RECTORS

June 1st, 2015: Nha Trang University (NTU) held a ceremony to announce the decision of the Minister of Education and Training to appoint two Vice-rectors of the term 2011 – 2016: Dr. Quach Hoai Nam, Dean of the Faculty of Post-graduate Education and Dr. Khong Trung Thang, Director of the Department of External Cooperation. Speaking at the inaugural ceremony, the two new Vice-rectors committed to fulfill their assigned responsibilities to respond to the trust and expectation of NTU's leaders and staff.

With the new appointments, NTU now has 3 Vice-rectors: Mr. Phan Thanh Liem, Mr. Quach Hoai Nam, Mr. Khong Trung Thang.



External collaboration 2-3



Education 4



Scientific research 5

International conference 6

Events 7-8

Student activities 9

News in brief 10



Inauguration of two NTU's new vice-rectors

VISITS OF THE EMBASSY OF AUSTRALIA AND PUKYONG NATIONAL UNIVERSITY – SOUTH KOREA

April 22nd- 23rd, 2015: To consolidate and develop the existing cooperative relationships between two parties, the delegations of the Australian Embassy and Pukyong National University visited and worked at NTU. On the basis of the recent cooperation results, the Embassy of Australia and NTU discussed the expansion of collaborative research in the fields of agriculture, forestry, regional development and sustainable development; staff and student exchange, transnational education and joint research projects.

Ha Trang University has successfully organized a special training program for students from the Global Development and Cooperation for Fisheries Center (Global DCF) – Pukyong National University, South Korea in early 2015. Following this success, the two parties now agreed on measures to improve the program for the second group of students (expected in July and August, 2015); discussed the idea of establishing Vietnam - Korea Center of Development and Cooperation for Fisheries; as well as the possible implementation of joint projects sponsored by the Korea International Cooperation Agency (KOICA) such as modernizing seafood production lines in Vietnam, improving fisheries capacity in Vietnam through the modernization of traditional fisheries industry, livelihoods of fishing communities.



A meeting between the Embassy of Australia and NTU

THE EMBASSY OF IRELAND, AUSTRALIAN CONSULATE GENERAL VISIT NTU

March 29th – April 2nd, 2015: A delegation including representatives from the Embassy of Ireland, the Australian Consulate General, the Center for Urban Development and Congress Television visited and worked at NTU.

The purpose of the visit is to check the progress and quality of some free playgrounds for children constructed by the NTU Youth Union. At the meeting, the delegation acknowledged the quality of the work implemented by NTU Youth Union and significance of free playgrounds for children in disadvantageous areas. They also expressed a willing to continue to support funds for new playgrounds.

Recently, beside the practical and effective volunteer activities, NTU Youth Union, with the support from international and domestic

organizations, has built 6 free playgrounds for children in several poor areas of Khanh Hoa and Dak Lak provinces. The success of the free playgrounds chain helps to share difficulties and brings joy to children and shows NTU youth's responsibility to the community.



SIGN MOU WITH LE LISERON DE FRANCE

June 2nd, 2015: Mr. Bernard Biron, Director of the Association Le Liseron De France, and several members of the association visited NTU.

The Association Le Liseron De France is a non-governmental organization established in France, operating in Vietnam under registration No. 295/CNV-HĐ issued on February 4, 2015 by the Department of External Affairs, Ministry of External Affairs - Vietnam. The association is allowed to operate in educational support, cultural exchange and support underprivileged children in Can Tho, Khanh Hoa, Hau Giang and Ben Tre provinces.

At the meeting, leaders of NTU and the Association Le Liseron De France discussed and agreed to sign a memorandum of understanding to ratify cooperation between the university and the association. Specifically, the Association Le Liseron De France will support NTU students and lecturers with learning and teaching materials, scholarships and fieldtrips to France, as well as developing a professional kitchen for practice of the cuisine course (tourism study majors). The Association Le Liseron De France is now sending the first batch of books in French to improve the library collections of NTU.

COOPERATION WITH MEMORIAL UNIVERSITY, CANADA



June 22nd, 2015: Mr. Bill Chislett, Director of Marine Institute International - and Mr. Carey Bonnell, Head of School of Fisheries - Marine Institute of Memorial University, Canada visited NTU and met with NTU's leaders and faculty members of Research Institute of Aquaculture, Institute for Biotechnology and Environment, Faculty of Food Technology, Institute for Marine Science and Fishing Technology. After the discussions, an MoU has been proposed to be signed by leaders of NTU and Marine Institute - Memorial University with major points such as placement of internship for graduate students, exchange of faculty and students for study (especially doctoral studies) and research, exchange of staff for professional development, joint research and joint bids on international consultancies/capacity building initiatives.

The MoU when signed by two sides will open long term cooperation (firstly with the Marine Institute) because both have similarities in fishery areas such as Marine Environmental Technology, Food Technology, Aquaculture, Fishing Technology, etc.

June 26th - 27th, 2015: Prof. Matsuoka - Dean of the Faculty of Fisheries of Kagoshima University, Japan visited and worked at NTU. Cooperation agreements were discussed and MoUs have been signed afterward between the Faculty of Fisheries - Kagoshima University and Institute of Aquaculture, Institute of Marine Science and Technology, Faculty of Food Technology.

June 22nd, 2015: The Faculty of Information Technology held a scientific seminar on the topic "Image Processing and Pattern Recognition". Six papers were presented of which 3 were presented by IT faculties and 3 were presented by lecturers of the Kanagawa Institute of Technology, Japan. Throughout the seminar, NTU faculties exchanged experience in scientific research with Japanese colleagues.

VISITS OF JAPANESE INSTITUTIONS



The representative speaking in the ceremony

OPENING OF THE INTERNATIONAL MASTER'S PROGRAM ON MARINE ECOSYSTEM BASED MANAGEMENT AND CLIMATE CHANGE

April 25th, 2015: NTU proudly organized the opening ceremony for the international master's program on Marine Ecosystem Based Management and Climate Change.

NORHED project aims to strengthen education and research capacity in climate change and natural resource management in the two institutions in Vietnam and Sri Lanka.

This is a component of the NORHED project sponsored by the Norwegian government. NTU, in cooperation with its partners in the project including University of Tromsø, University of Bergen (Norway) University of Ruhuna (Sri Lanka) and some affiliated well-known universities (Auburn University, USA; Bogor Agricultural University, Indonesia and others in Asia Pacific), officially launched this master's program, taught in English, with the diploma being granted by NTU.

The first co-hort includes 16 students from Sri Lanka, Liberia, Cambodia and Vietnam. NORHED will provide 6 full scholarships for students who are the staff of selected institutions or members of marginalized or underrepresented groups. An announcement for the next cohort (starting in March 2016) has been released. Besides master's training, the project also helps NTU to train several doctoral and post-doctoral fellows in climate change.

AWARDING DIPLOMAS TO 225 NEW DOCTORS, MASTERS, AND BACHELORS

A graduation ceremony for 225 new doctors, masters and bachelors was held on May 25th – 26th, 2015 at NTU. At the ceremony, representatives from the new graduates expressed thanks to NTU for its support for their study and promised to accompany NTU in all activities and pursue higher education at NTU.

During its 56 years of history, NTU has developed into a multidisciplinary institution (with 29 majors for bachelor degrees, 12 majors for master's degrees and 5 majors for doctoral degrees). It has completed its initial mission of high-quality human resources training; scientific research, technology transfer and provision of professional services, in which the fisheries sector is its strength. Until now, NTU has trained nearly 2,000 masters and doctors and nearly 50,000 bachelors and engineers.



LAUNCHING GIA BAO COMPOSITE VESSEL 2015 - THE FIRST MANUFACTURED IN ACCORDANCE WITH THE DECREE 67 IN KHANH HOA

June 2nd, 2015: Gia Bao composite vessel 2015 was launched with the attendance of Mr. Vu Van Tam - Deputy Minister of Agriculture and Rural Development.



This is the first fishing vessel built for a Khanh Hoa fisherman—Mr. Duong Van Quang in Vinh Nguyen Ward. It was newly manufactured with financial support under the Decree 67 of the Government regarding fisheries development policy. The Gia Bao composite vessel 2015 was designed and manufactured using composite, a material with good and stable characteristics superior to wood which is often used for traditional Vietnamese fishing vessels. The vessel can operate safely in condition up to wind speed of 7 in Beaufort scale, it has a speed of 11 sea mile/hour, and can be used for seining or light fishing in the Spratly Islands area.

Gia Bao composite vessel 2015 (named KH-95117-TS), designed and manufactured by the Institute for Ship Building (UNINSHIP) - Nha Trang University

The launching of the Gia Bao composite vessel 2015 marks a new development: the Decree 67 really comes to life in Khanh Hoa province, at the same time opens a period of the mass development of "Made in Vietnam" composite fishing vessels.



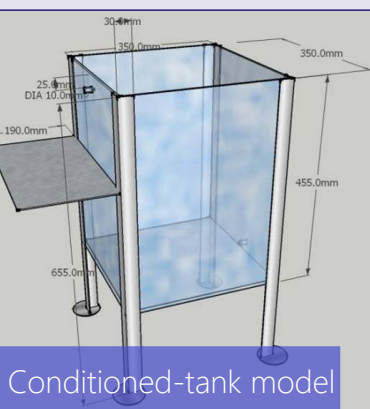
RESEARCH PROJECT ON BUILDING AN NTU LABORATORY WASTEWATER TREATMENT MODEL

MSc. Tran Nguyen Van Nhi

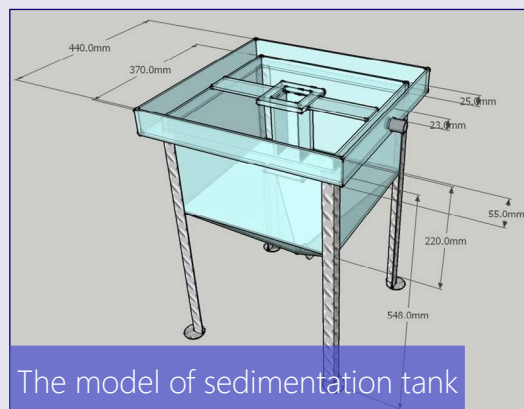
The research project was implemented to build a wastewater management procedure of laboratories at NTU, the project of wastewater treatment from the laboratory at NTU's main campus (No. 2 Nguyen Dinh Chieu - Nha Trang) reached the standard of wastewater TCVN 5945:

2005 (Class B) in accordance with the geographical and economic conditions to protect regional ecological environment under current law.

After conducting research, the author and collaborators completed a model of treatment technology of wastewater from NTU laboratories. Research results and experiments show that based on the parameters of wastewater quality, after being treated by model of 50 liters/day, the wastewater achieved the standard of discharge into the environment. The wastewater from chemical laboratories can be gathered in groups and processed in batches, the water after being treated obtains a Class B and without sterilization.



Conditioned-tank model



The model of sedimentation tank

INTERNATIONAL CONFERENCE ON BIOTECHNOLOGY AND MARINE ENVIRONMENT MANAGEMENT (MBE 2015)



June 12th – 13th, 2015: More than 100 scientists from the U.S, Norway and several countries in Asia and Africa as well as representatives from universities and research institutes in Vietnam, attended the International Conference on “Biotechnology and Marine Environment Management” held by NTU in collaboration with Auburn University – U.S.

62 scientific reports presented at the Conference updated new findings in the field of biotechnology and marine

environment management, advanced production technologies being applied worldwide and proposing solutions to bring biotechnology to the production and management of the marine environment in Vietnam.

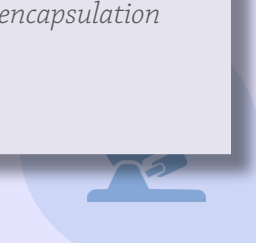
The success of the Conference created a direct exchange forum between the authorities and experts on research achievements and the expansion of cooperation in the fields of biotechnology and marine environmental management. Moreover, this also helped promote biotech applications in fisheries, agriculture, food, medicine, ecology, environmental management and waste treatment in Vietnam waters.



“APPLICATION OF MICROCAPSULATION TECHNOLOGY IN FOOD, NUTRITION AND AQUACULTURE”

June 9th – 10th, 2015: In the framework of cooperation “Research on production technology of bioencapsulation and its application in the field of biology - food in Vietnam” between Vietnam and France, NTU held an international conference on the “Application of microcapsulation technology in food, nutrition and aquaculture”.

More than 20 scientists and lecturers of NTU, other universities and research institutes in Vietnam and AgroSup Dijon (France), Monash University (Malaysia), National University of Singapore (Singapore), Asian Institute of Technology - AIT (Thailand) participated in the conference. During the conference, scientists presented new research results and exchanged and unified some future directions of cooperation. The success of the conference will promote scientific research cooperation between universities and establish a network of scientists in the field of bioencapsulation technology in Southeast Asia.



THE 20TH CONGRESS OF NTU COMMUNIST PARTY, TERM 2015-2020

June 18th – 19th, 2015: The Congress voted an executive committee for the term 2015 - 2020 including 19 members.

The theme

With the theme *"Promote democracy and collective intelligence, constant innovation, improve training quality and efficiency of science technology activities to become a leading application-oriented university in the Central region"*, the Congress agreed on NTU's development strategies in the period of 2015-2020.

Overall objectives by 2020

Based on the implementation of standardization, modernization, socialization, democratization and international integration, NTU continues to improve training quality and science technology efficiency and create a premise to upgrade NTU to become a leading application-oriented university in the central region; promote activities of strengthening the Communist Party to enhance leadership capacity and combativeness of the Party; make the learning and following of Ho Chi Minh's moral examples frequent and continue to raise living and spiritual life standards for NTU's staff and students.

Vision to 2030

Create a strong foundation for science and technology as well as for training; become a multidisciplinary application-oriented university to keep pace with highly ranked universities in Southeast Asia; gradually become a research-oriented university.



The executive committee of NTU Communist Party, term 2015 - 2020

MEETING IN RESPONSE TO WORLD ENVIRONMENT DAY (JUNE 5TH) AND WEEK OF THE SEAS, ISLANDS OF VIETNAM

June 6th, 2015: More than 1,000 NTU's students and staff attended a meeting in response to the World Environment Day (June 5th) and the Week of the Seas, Islands of Vietnam held by the Ministry of Education and Training. At the meeting, Deputy Minister Ms. Nguyen Thi Nghia stressed the importance of the environment and the seas and the islands of Vietnam; mobilized the whole education sector to organize activities for environmental protection (such as tree planting, garbage collection and ecosystem protection, etc) to protect the sea, islands to cope with climate change and sea level rise, and to protect territorial sovereignty.

After the meeting, NTU organized tree planting on campus and garbage collection at Hon Chong beach.



NATIONAL SEMINAR ON THE ORGANIZATION AND PUBLISHED MANAGEMENT OF DIGITAL RESOURCES

April 24th – 25th, 2015: The workshop “Solutions to build, manage, exploit and publish digital information resources - the practical implementation in Vietnam and international experience” was organized by NTU’s Library and Nam Hoang Company.

Over 100 delegates from the Vietnam Library Association, the Library Associations of Southern and Northern Universities and 180 leaders of the universities’ libraries in the country, and top experts in libraries of Vietnam discussed issues of concerning the field of digitization, management usage of digital resources of current universities’ libraries, copyright of digital resources, building of local digital resources, references and multimedia materials. The delegates also took a tour of NTU’s Library – a leading modern university library of Vietnam which is successful in managing and publishing digital resources effectively using digitalized technology and automatic transaction and providing valuable support for staff and students in training and research.



The seminar is one of a series of activities of VILASAL (Vietnamese Library Association of Southern Academic Libraries) to increase experience sharing and find solutions to build, manage, exploit and publish digital information resources.

TECHNICAL TRAINING ON SOME ECONOMIC AQUATIC SPECIES AND ACTIVITIES IN AN INLAND FISHING/ RESERVOIR

May - June 2015: In a DakNong provincial research project (2013-2015) on “Research, assess and propose solutions for the development and management of fisheries resources in DakNong reservoir”, the research group of the Institute of Aquaculture - NTU organized 6 training courses for farmers of Dak Mil, DakR’Lap and DakGlong districts of DakNong province on:

- 1** *The protection of the environment and inland fisheries resources/ reservoirs.*
- 2** *Culture techniques for a number of aquatic species and some activities of an inland fishing/ reservoir.*

The group distributed 3 sets of trawling-nets for 30 fishermen in Dong Nai hydropower reservoir in DakNong province. The training courses, with the participation of many farmers, contributes to equip them with basic knowledge of aquaculture, protection and sustainable exploitation of fisheries resources, thereby promotes the development local fisheries and in this regard it was a success.





"GOLDEN BELL RINGING 2015"

May 17th, 2015: at the final round, 100 outstanding students, selected from the preliminary round, answered 30 questions on three themes: the History of Vietnamese Communist Party; the life and career of President Ho Chi Minh and the History of NTU in nearly 56 years of construction and development. Finally, the first prize was awarded to Ms. Phung Thi Tinh, a student of the 55CNSH2 class.

The success of the contest helped students increase knowledge of the Communist Party and President Ho Chi Minh and the history of the construction and development of NTU, and, at the same time created a useful platform for students to express their talent, intelligence and creativity.

SCIENTIFIC WORKSHOP: "THE ROLE OF THE YOUTH UNION AND STUDENT ASSOCIATION IN HELPING STUDENTS ACHIEVE LEARNING OUTCOMES"

The workshop aims to assess the situation and to find solutions to strengthen the role of the Youth Union and Student Association in helping students achieve learning outcomes of the curriculum and understand the importance of soft skills in the integration period.

May 30th, 2015: the NTU's Youth Union organized a scientific workshop "The Role of the Youth Union and Student Association in helping students achieve learning outcomes". At the workshop, 9 reports clarified four key issues: The importance of soft skills development and life skills of students; The role of soft skills in the learning outcomes, experience at some domestic and international universities; Activities of the Youth Union and Student Association in developing skills for students; and Experience in developing soft skills from the movements, activities. The workshop provided an opportunity for students to exchange, learn, and improve soft skills, life skills, work skills and confirmed the role of the Youth Union – Student Association in helping students achieve learning outcomes.



JOURNEY TO

@CONNECT@ LOVE

2015



April 22nd, 2015: To raise funds for social and voluntary activities, the Youth Union of the Faculty of Economics organized a musical night "Journey to connect love 2015".

The musical night included many exciting performances, magic shows, calligraphy painting and an auction program with items such as calligraphy paintings, bonsai, sculptures, etc.

With the funds, the Youth Union of the Faculty of Economics has organized a volunteer program in Khanh Son district. More than 50 volunteers built a playground for Ba Cum Bac Primary School, installed 500 meters of electric lines at A Thi village, offered gifts to the elderly, planted fruit-tree gardens, built new barbed-wire fences for the Center for Social Patronage of Khanh Son District and held a musical exchange night with the Youth Union of Ba Cum Bac commune.

2015 SPORTS FESTIVAL AMONG UNIVERSITIES, COLLEGES, AND VOCATIONAL SCHOOLS IN KHANH HOA PROVINCE

April 20th – 25th, 2015: A Sports Festival among universities, colleges, and vocational schools in Khanh Hoa province took place with the participation of 200 employees from 11 units.

NTU competed in some areas such as male football, badminton and table tennis and it achieved excellent results with 4 gold medals, 2 silver medals and 2 bronze medals.



THE 4TH FORUM ON FOOD SAFETY

May 24th, 2015: *New research findings about factors that affect tuna quality through the stages of fishing at sea, processing and preservation of fish on board, control measures and quality assurance of fish at processing plants, etc. were discussed by faculty members, students of the Faculty of Food Technology and presenters of Hai Vuong Co., Ltd..*

THE 20TH ANNIVERSARY CEREMONY OF THE ACCOUNTING - FINANCE PROGRAM

April 29th, 2015: The 20th Anniversary Ceremony of the accounting - finance program and the 5th Anniversary of the establishment of the Faculty of Accounting and Finance were held. The Faculty of Accounting and Finance was founded in 2010 when it was separated from the Faculty of Economics. The faculty currently has 44 staff, including 5 doctors, 24 masters. It is training 2,361 full-time undergraduate students, and more than 3,000 part-time students of accounting and finance-banking. Over a 20 year period of development, 17 cohorts with 16,031 students of accounting and finance have graduated from the program.



NATIONAL HIGH SCHOOL GRADUATION EXAM 2015

July 1st – 4th, 2015: *NTU, coded as Exam Group No. 32, had successfully organized the National High School Graduation Exam 2015.*

The University mobilized nearly 800 exam's rooms, over 1,700 proctors, over 600 voluntary students and actively collaborated with provincial health and police agencies to serve all logistics for the exam, from security, transportation to other public services for candidates. NTU also coordinated closely with universities, colleges, high schools, organizations and individuals in Khanh Hoa province to prepare well infrastructure for the examination as well as accommodations for the examinees.



Letter from the chief-editor

Journal of Fisheries Science and Technology (publishing license No. 112 / GP-BVHTT dated 10.04.2003 issued by the Ministry of Culture and Information) is the mouthpiece of science of Nha Trang University, publishing four free issues per year, nationwide.

The journal is sent to organizations, enterprises in fisheries, the marine industry, scientific and technological institutions, universities and research institutes in agriculture, forestry and fisheries, as well as some universities and research institutes abroad. The journal's principles and purpose are:

- 1 To announce and introduce scientific research findings in the field of fisheries and the maritime industry
- 2 To inform and introduce international and domestic scientific activities and research results in fisheries and the marine industry
- 3 To inform and propagandize guidelines and policies of the Communist Party and Government in the field of education, training and sustainable development of the fisheries sector and the marine industry

With a good will to become a forum for scientists and researchers from the fisheries sector, the Editorial Board looks forward to receiving the cooperation and exchange of academic institutions and individuals for research findings, career information, product introduction and promotion. Articles published in the Journal are recognized by the Government Professor Title Council and scored for scientific work (up to 1.0 point) in annual assessment for titles of Professor and Associate Professor.

Best regards,

CHIEF-EDITOR

Assoc.Prof. *Le Thuoc Luong*

Individuals and organizations wishing to publish or advertise, please contact:



The Department of Science and Technology, Nha Trang University

Add: 02 Nguyen Dinh Chieu St. Nha Trang, Vietnam



Tel: +84.58.2220767. Fax: +84.58.831147



E-mail: tapchidhnt@gmail.com

UPCOMING EVENTS

- 1 *College and university admission (7 - 8/2015)*
- 2 *Summer course for students from Pukyong National University, South Korea (12/7 - 6/8/2015)*



Department of External Cooperation
Nha Trang University

Add: 02 Nguyen Dinh Chieu St, Nha Trang, Vietnam

Tel: +84 58 247 1303; Fax: +84 58 3831147

Email: dea@ntu.edu.vn; Website: www.ntu.edu.vn